

SERVICE-ONDERDELEN

Blauwe Engel II

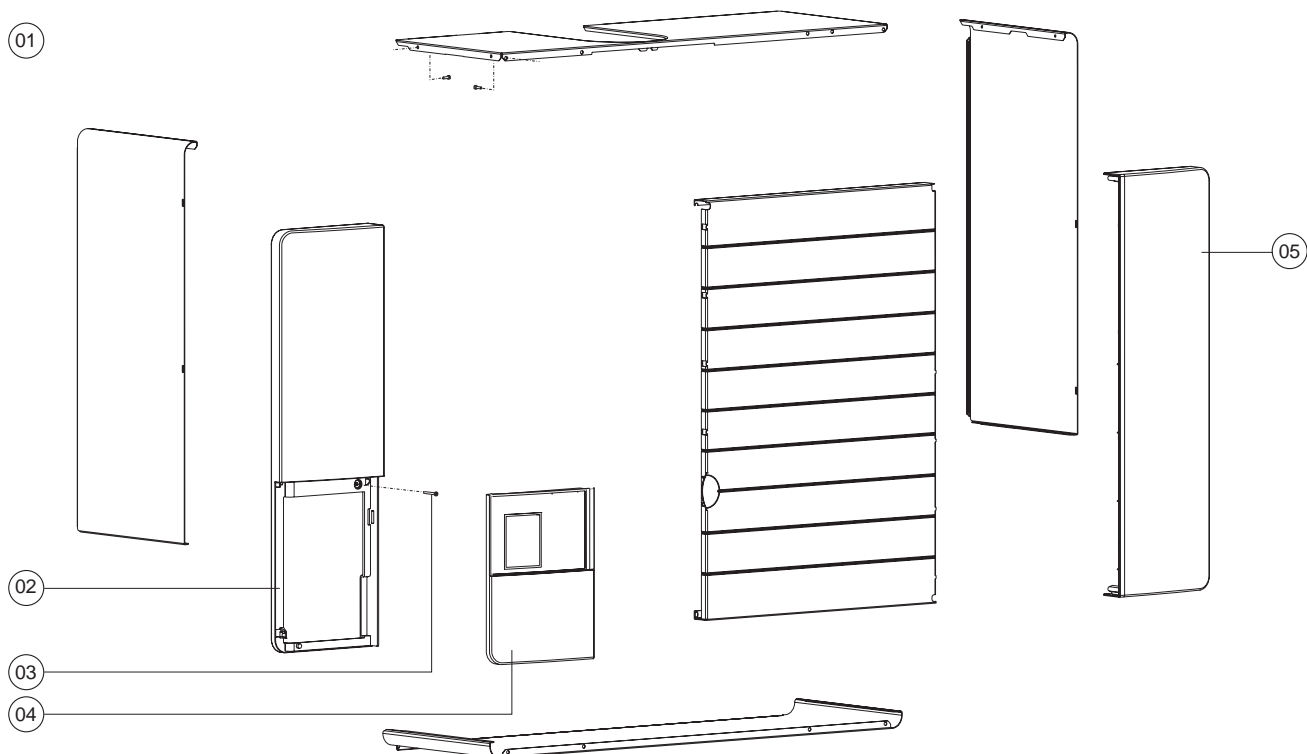
ATAG

Blauwe Engel

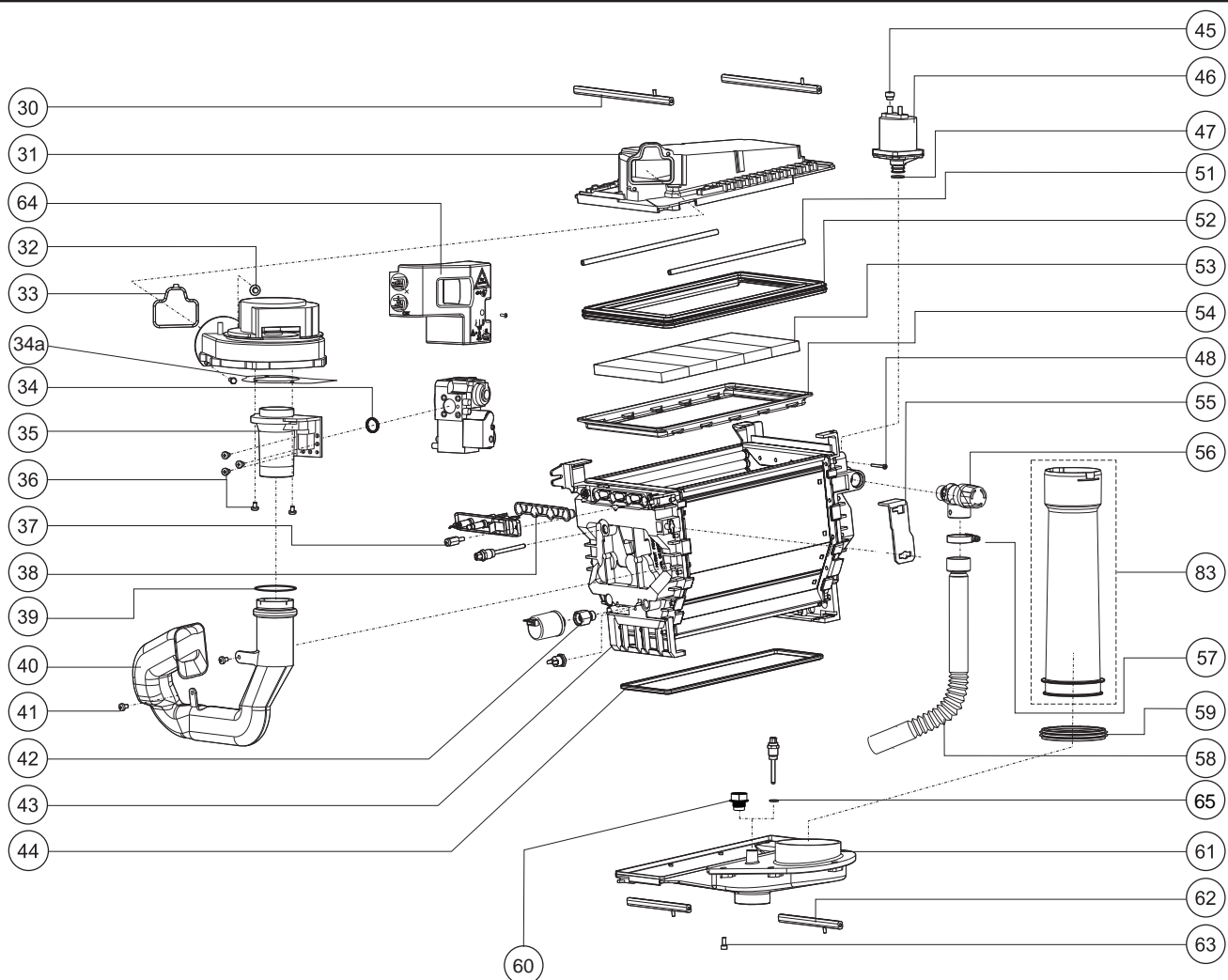


- Blauwe Engel S-HR 15
- Blauwe Engel S-HR 24
- Blauwe Engel S-HR 24T(i)
- Blauwe Engel S-HR 35
- Blauwe Engel S-HR 35T(i)
- Blauwe Engel S-HR 51
- Blauwe Engel S-HR 51T(i)
- Blauwe Engel S-HR 60

Onderdelen mantel Blauwe Engel

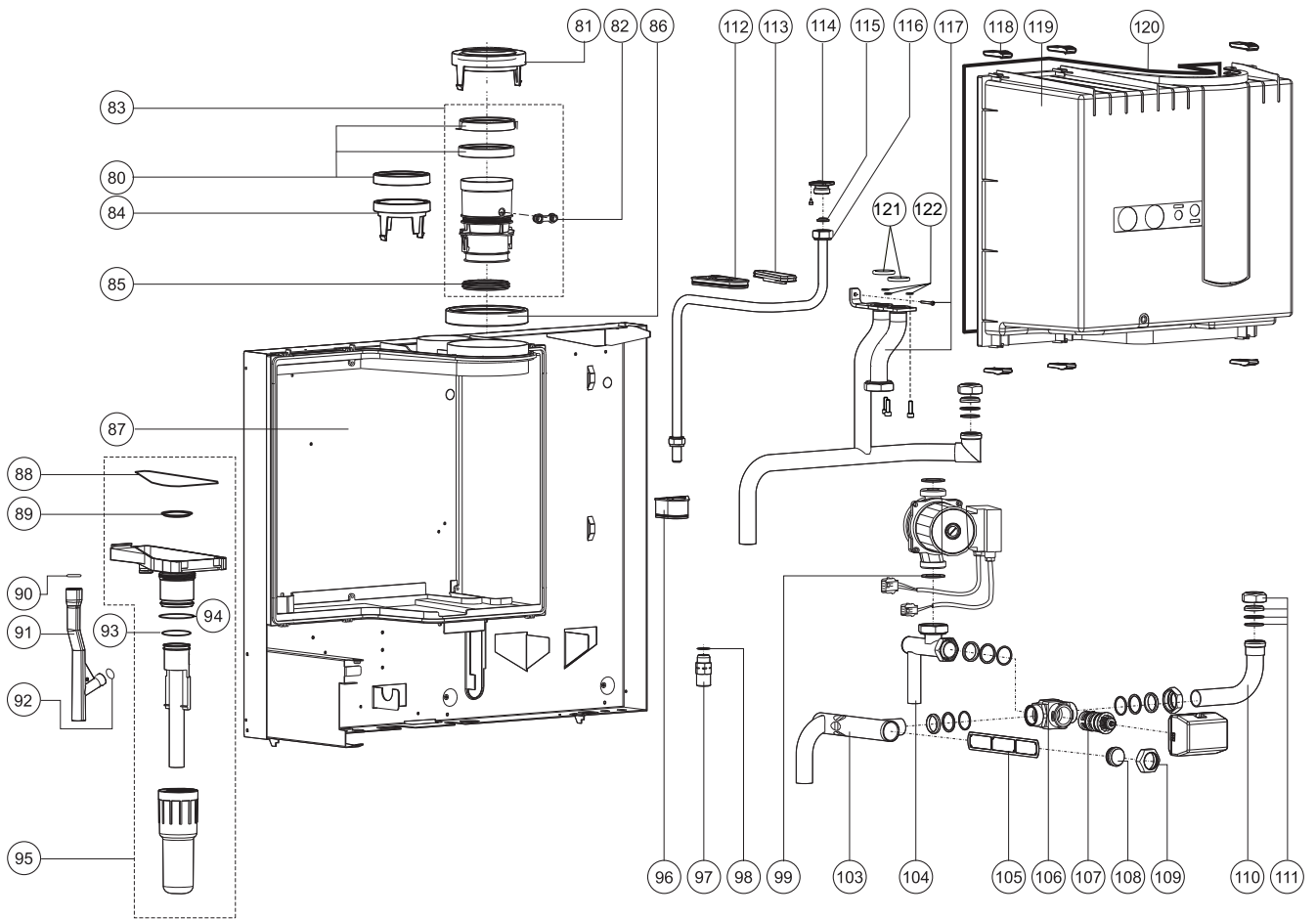


Onderdelen warmteblok Blauwe Engel

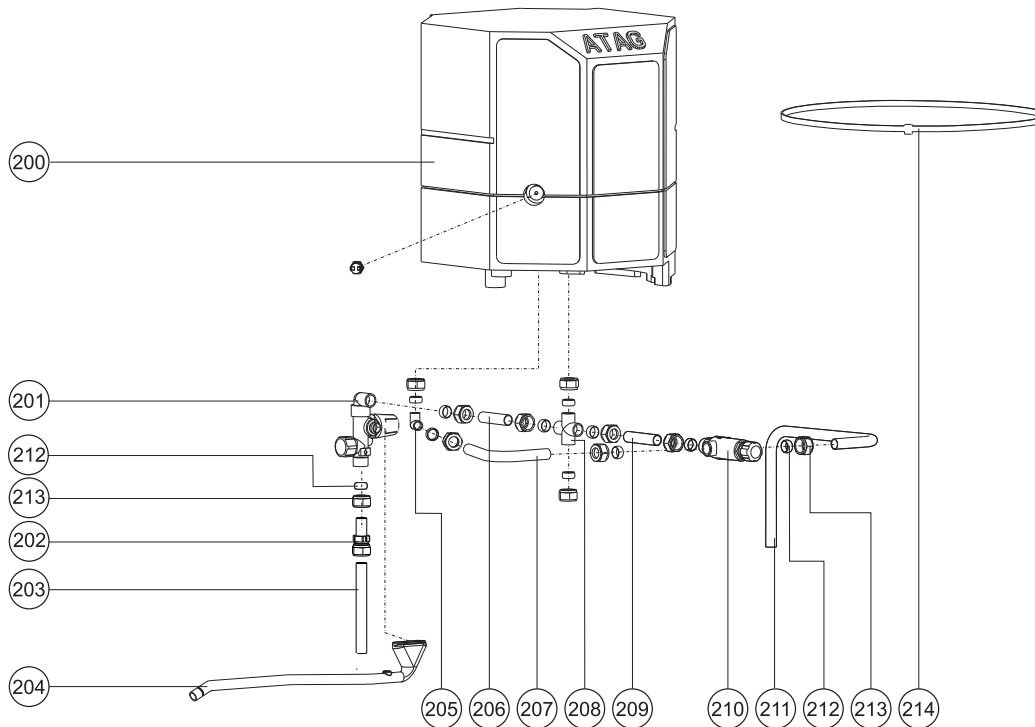


Pos.	Omschrijving	Art.nr.	Blauwe Engel S-HR							
			Combi			Solo				
			24 T	35 T	51 T	15	24	35	51	60
Bouwjaar			1996 - 2005							
1	Mantel SHR15/24/35					X	X	X		
	Mantel SHR24/35t		X	X						
	Mantel SHR51/60								X	X
	Mantel SHR51t				X					
2	Paneel mantel kunststof L SHR	S4314800	X	X	X	X	X	X	X	X
3	Bout m 5x10 ck-pz din 84/4.8 5x	S4286000	X	X	X	X	X	X	X	X
4	Deur mantel	S4324200	X	X	X	X	X	X	X	X
	Deursticker Blauwe Engel	8A352002	X	X	X	X	X	X	X	X
5	Paneel mantel kunststof R SHR	S4314700	X	X	X	X	X	X	X	X
30	Klemstang bovenbak lang SHR	S4310800	X	X	X	X	X	X	X	X
31	Bovenbak sam. SHR15/24 1:6	S4436110	X			X	X			
	Bovenbak sam. SHR35	S4371110		X					X	
	Bovenbak sam. SHR51/60	S4371210			X				X	X
32	Bout m 5x16 din933.8.8 5x		X	X	X	X	X	X	X	X
33	Afdichting vent./bovenbak SHR	S4305700	X	X	X	X	X	X	X	X
34	Afdichting gasblok-venturi SHR	S4337610	X	X	X	X	X	X	X	X
34a	Afdichting venturi-ventilator SHR	S4325610	X	X	X	X	X	X	X	X
35	Venturi SHR24	S4318810	X			X	X			
	Venturi SHR35	S4318920		X				X		
	Venturi SHR60	S4319020			X				X	X
36	Bout m5x12 gr fase zs din7985 5x	S4418710	X	X	X	X	X	X	X	X
37	Bout m 6x30 ck-pz din 84/4.8 3x	S4356300	X	X	X	X	X	X	X	X
38	Afdichting ion/ontst. set SHR	S4397100	X	X	X	X	X	X	X	X
39	Afdichtring aanzuigst-vent.SHR	S4309500	X	X	X	X	X	X	X	X
40	Aanzuigstuk E/PF/SHR15/24	S4347510	X			X	X			
	Aanzuigstuk e/SHR 32/35	S4325510		X				X		
	Aanzuigstuk SHR51/60	S4324720			X				X	X
41	Schroef taptite m5x 8 ck-pd 3x	S4167500	X	X	X	X	X	X	X	X
42	Waterslot druksensor SHR	S4325900	X	X	X	X	X	X	X	X
43	Warmtewisselaar 15-24kW		X			X	X			
	Warmtewisselaar 35kW			X				X		
	Warmtewisselaar 51-60kW				X				X	X
	Kogelkopsleutel	S4363700	X	X	X	X	X	X	X	X
	Anti condensbussen	S4344200	X	X	X	X	X	X	X	X
44	Afd. Wiss./condensb.SHR15/24	S4306300	X			X	X			
	Afd. Wiss./condensb.SHR35	S4306400		X				X		
	Afd. Wiss./condensb.SHR51/60	S4306500			X				X	X
45	Dop ontlufter SHR 3x	S4380600	X	X	X	X	X	X	X	X
46	Ontlufter E/PF/SHR chroom	S4419110	X	X	X	X	X	X	X	X
47	O-ring ø13,94x2,62 ontl.SHR 2x	S4342300	X	X	X	X	X	X	X	X
48	Bout m 3x30 verz.din84/4.8 3x	S4345900	X	X	X	X	X	X	X	X
49	Revisieset isolatieplaten SHR	S4500010	X	X	X	X	X	X	X	X
	Revisieset pijpplaten 51/60	S4472810		X					X	X
51	Slang siliconen l=14cm	S4440200	X			X	X			
	Slang siliconen l=25cm	S4440300		X				X		
	Slang siliconen l=41cm	S4440400			X				X	X
52	Afdichting branderbed SHR15/24	S4305910	X			X	X			
	Afdichting branderbed SHR35	S4306000		X				X		
	Afdichting branderbed SHR51/60	S4306110			X				X	X
53	Brander SHR 15/24kw	S4330130	X			X	X			
	Brander S-HR 35/35t	S4523920		X				X		
	Brander S-HR 51/51T/60 aardgas	S4828200			X				X	X
	Brander S-HR 51/51T/60 propaan	S4838400			X				X	X
	Fiberfax 165x8x3	S4335300	X	X	X	X	X	X	X	X
54	Opsluitlyst brander SHR15/24	S4304310	X			X	X			
	Opsluitlyst brander SHR35	S4304410		X				X		
55	Bevestigingshaak bovenbak	S4308500	X	X	X	X	X	X	X	X
56	Overstortventiel set 3 bar	S4344630	X	X	X	X	X	X	X	X
57	Slangklem 20-32 mm RVS	S4395600	X	X	X	X	X	X	X	X
58	Leiding overstort SHR	S4467300	X	X	X	X	X	X	X	X
59	Lip-ring ø63 amgas	S4307900	X			X	X			
	Lip-ring ø80 amgas	S4304200		X	X			X	X	X
60	Stop 1/4"	S4674500	X	X	X	X	X	X	X	X
61	Condensbak SHR15/24	S4406920	X			X	X			
	Condensbak SHR35	S4407020		X				X		
	Condensbak SHR51/60	S4407110			X				X	X
62	Klemstang condensb PF/E/SHR	S4310700	X	X	X	X	X	X	X	X
63	Schroef M 5X12 imbus VERZ. 3x	S4440000	X	X	X	X	X	X	X	X
64	Gasblok afdekkap		X	X	X	X	X	X	X	X
65	O-ring ø5x2	S4329400								

Onderdelen achterwand Blauwe Engel

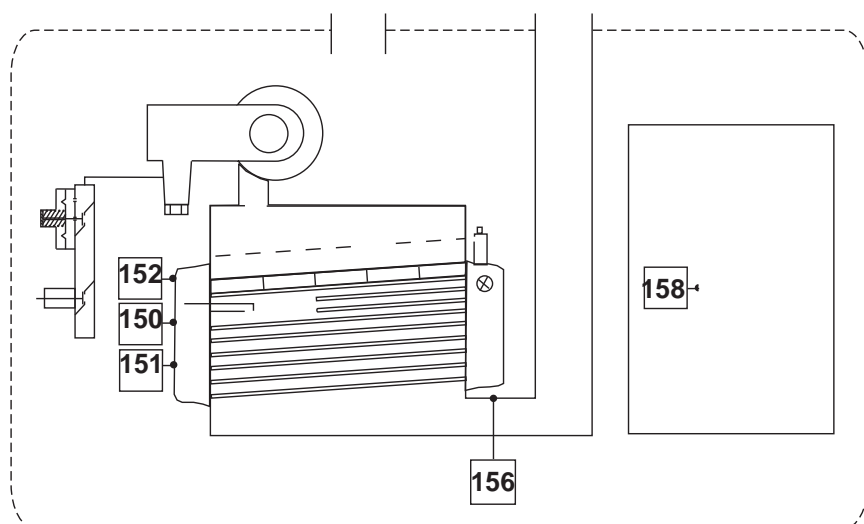
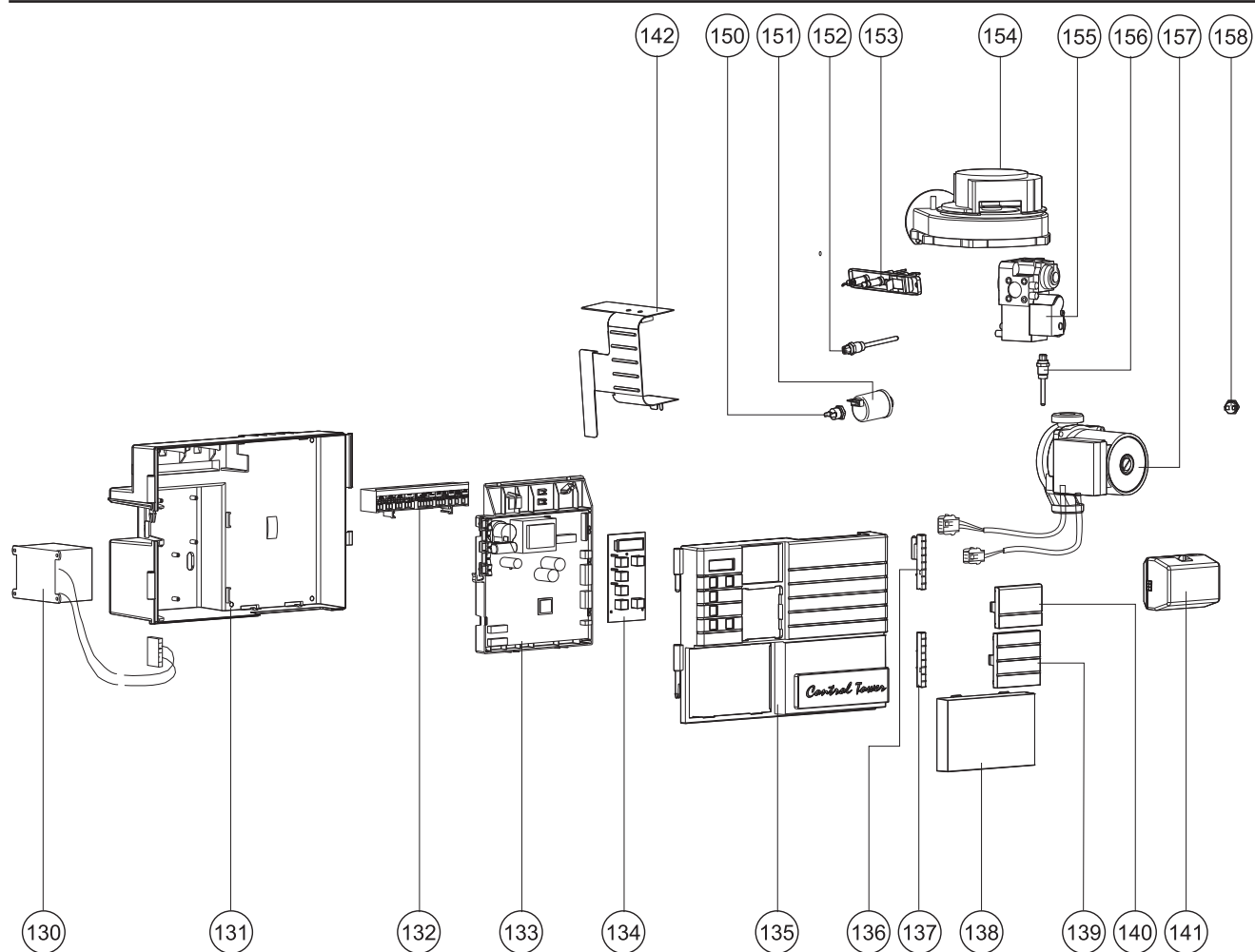


Onderdelen boiler (Combitoestellen) Blauwe Engel



Pos.	Omschrijving	Art.nr.	Blauwe Engel S-HR							
			Combi			Solo				
			24 T	35 T	51 T	15	24	35	51	60
Bouwjaar			1996 - 2005							
80	Afdichting luchttoev.ø80 SHR	S4323510	X	X	X	X	X	X	X	X
81	Deksel luchttoevoer ø 120/80	S4323410	X	X	X	X	X	X	X	X
82	Tule + stop uitlaatstop	S4521600	X	X	X	X	X	X	X	X
83	Rookg.afv. Pp sam. SHR15-24 mr	S4499400	X			X	X			
	Rookg.afv. Pp sam. SHR 35 zr	S4500500		X				X		
	Rookg.afv. Pp sam. SHR 51-60 zr	S4500700			X				X	X
84	Deksel luchttoev. 80 SHR	S4323310	X	X	X	X	X	X	X	X
85	Afdichting uitlaatpyp pp SHR	S4472600	X	X	X	X	X	X	X	X
86	Afdichting luchttoev. ø120 SHR	S4323710	X	X	X	X	X	X	X	X
87	Luchtkast achterzijde SHR15-35	S4316100	X	X		X	X	X		
	Luchtkast achterzijde SHR51/60	S4316210			X				X	X
88	Afdichting sifonbak-luchtk.SHR	S4339110	X	X	X	X	X	X	X	X
89	Afdichting sifonpyp-luchtk.SHR	S4316300	X	X	X	X	X	X	X	X
90	O-ring ø19,50x1,80 sifonbak	S4312100	X	X	X	X	X	X	X	X
91	Condensafvoerpijp SHR	S4316500	X	X	X	X	X	X	X	X
92	O-ring ø12,42x1,78 sifon 3x	S4342400	X	X	X					
93	O-ring ø40 Sifonbak	S4309900	X	X	X	X	X	X	X	X
94	O-ring ø50 Sifonbeker	S4316400	X	X	X	X	X	X	X	X
95	Sifon compleet SHR pp	S4451610	X	X	X	X	X	X	X	X
96	Doorvoer gasleid.luchtk.SHR		X	X	X	X	X	X	X	X
97	Pypnippel 1/2"+o-ring SHR15-35	S4493300	X	X		X	X	X		
	Pypnippel 3/4" met O-ring	S4498800			X				X	X
98	O-ring ø13,94x2,62 geel silic.	S4328710	X	X	X	X	X	X	X	X
99	Pomppakking 2x	S1003810	X	X	X	X	X	X	X	X
103	Leid. Ret.-pomp filt. SHR15-35	S4317800				X	X	X		
	Leid. Ret.-dwc filt. SHR15-35	S4317700	X	X						
	Leid. Ret.-pomp filt. SHR51/60	S4326700							X	X
	Leid. Ret.-dwc filt. SHR51/60	S4326600			X					
104	Leiding dwk-pomp ext. Exp.vat	S4318020	X	X	X					
105	Filter retourleiding SHR	S4317500	X	X	X	X	X	X	X	X
106	Driewegklep huis VC O-ring	S4308200	X	X	X					
107	Cartridge VC-driewegklep	S4268400	X	X	X					
108	Filterdop PF/E/SHR	S4317610	X	X	X	X	X	X	X	X
	O-ring ø25,07 x 2,62 dwk	S4158300	X	X	X	X	X	X	X	X
109	Wartel m35 30ø	S4259500	X	X	X	X	X	X	X	X
110	Leiding boiler-dwk SHR	S4317900	X	X	X					
111	Koppelingset boiler combi	S4272100	X	X	X					
	Wartel m35 30ø	S4259500	X	X	X					
	O-ring ø26,70x 1,78 boiler	S4259800	X	X	X					
112	Doorvoer CV leiding	S4310610	X	X	X	X	X	X	X	X
113	Servicetule luchtk.-wiss. SHR	S4317200	X	X	X	X	X	X	X	X
114	Koppeling regelblok 3/4"SHR	S4340900	X	X	X	X	X	X	X	X
	O-ring ø21,89x2,62 gasleiding 3x	S4334500	X	X	X	X	X	X	X	X
115	Afdichting kopp.3/4"gasbl.SHR	S4340830	X	X	X	X	X	X	X	X
116	Gasleiding kpl. SHR15/24	S4340410	X			X	X			
	Gasleiding kpl. SHR35/51/60	S4340510		X	X			X	X	X
117	Leiding aanvoer SHR15/24	S4318510				X	X			
	Leiding boiler-CV SHR15/24	S4318200	X							
	Leiding aanvoer SHR35	S4318610						X		
	Leiding boiler-CV SHR35	S4318300		X						
	Leiding aanvoer SHR51/60	S4318700							X	X
	Leiding boiler-cv SHR51/60	S4318400			X					
	Vul- en aftapkraan	S1002200	X	X	X	X	X	X	X	X
118	Sluiting luchtkast rood SHR	S4322500	X	X	X	X	X	X	X	X
119	Luchtkast SHR 15-24-35	S4315800	X	X		X	X	X		
	Luchtkast SHR 51-60	S4315900			X				X	X
120	Afdichting luchtkast ø5,5	S4397000	X	X	X	X	X	X	X	X
121	O-ring ø29,74x3,53 aanv./ret. (2x)	S4312300	X	X	X	X	X	X	X	X
122	O-ring ø4,76x1,78 borg WW (3x)	S4322320	X	X	X	X	X	X	X	X
200	Boiler insp.tot 35kW	S4307010	X	X						
	Boiler insp.tot 51kW	S4310410			X					
201	Inlaatcombinatie SHR24t-51t	S4302220	X	X	X					
202	Doseerventiel 6l/min zwart	S4169500	X							
	Doseerventiel 8-8.5 l/min wit	S4262700		X						
	Doseerventiel 12.5 l/min roze	S4264600			X					
203	Leiding ø15 koud		X	X	X					
204	Leiding overstort inl.comb.SHR	S4338700	X	X	X					
205	Kniekoppeling 15 x 15 knel		X	X	X					
206	Leiding 15 koud inl.comb/T-stuk		X	X	X					
207	Leiding ø15 warm mengvent. SHR	S4312800	X	X	X					
208	Kruisstuk 15 mm knel		X	X	X					
209	Leiding ø15 koud mengvent. SHR		X	X	X					
210	Therm.mengvent. ø15 knel	S4312500	X	X	X					
211	Leiding ø15 mix SHR	S4312900	X	X	X					
212	Knelring ø15 messing		X	X	X					
213	Wartel 1/2" g knel 15	S1035700	X	X	X					
214	Bevestigingsband boiler/expvat	S4307300	X	X	X					
	Koppelingset boiler combi	S4272100	X	X	X					

Onderdelen elektrische componenten Blauwe Engel



- 152 T1 aanvoersensor
- 150 T2 retoursensor
- 158 T3 warmwatersensor
- 156 T5 rookgassensor
- 151 P1 waterdruksensor

Pos.	Omschrijving	Art.nr.	Blauwe Engel S-HR							
			Combi			Solo				
			24 T	35 T	51 T	15	24	35	51	60
Bouwjaar			1996 - 2005							
130	Trafo 72 VA + zelftappers SHR	S4324900	X	X	X	X	X	X	X	X
	Bevestigingsschroef 5x	S4370300	X	X	X	X	X	X	X	X
131	Control tower achterdeel SHR	S4322700	X	X	X	X	X	X	X	X
132	Kabelboom kpl. aansl.blok SHR	S4398510	X	X	X	X	X	X	X	X
	Sticker aansluitblok ct	8A352202	X	X	X	X	X	X	X	X
	Anschl.kabel+Stecker l=1900	S4320100	X	X	X	X	X	X	X	X
	Stekker 2-polig paars	S4320300	X	X	X	X	X	X	X	X
	Stekker 2-polig zwart	S4320500	X	X	X	X	X	X	X	X
	Stekker 3-polig groen ext.pomp	S4351300			X				X	X
	Stekker 3-polig grijs	S4380900								
	Stekker 3-polig transp. Snij	S4380800								
	Stekker 3-polig geel	S4379500	X	X	X	X	X	X	X	X
	Stekker 3-polig oranje	S4379600	X	X	X	X	X	X	X	X
	Stekker 4-polig bruin	S4320600	X	X	X	X	X	X	X	X
	Stekker 6-polig blauw	S4350600				X	X	X	X	X
	Kabelboom driewegklep SHR	S4319900	X	X	X					
	Anticipatieweerst. 220Ohm SHR	S4325000	X	X	X	X	X	X	X	X
133	Stuurautomaat MCBA5415	S4711200	X	X	X	X	X	X	X	X
	Interface EBV Clip in	S4338030	X	X	X	X	X	X	X	X
	Kabel Brain-x11 MCBA1415d v2.0	S4378800	X	X	X	X	X	X	X	X
	Zekering glas 100 mA250 3x	S4352800	X	X	X	X	X	X	X	X
	Zekering glas 2,0 Af 250 3x	S4353000	X	X	X	X	X	X	X	X
	Zekering glas 3,0 at 250 3x	S4352900	X	X	X	X	X	X	X	X
	Zekering 4 At (250V) 3x	S4463500	X	X	X	X	X	X	X	X
134	Display MCBA 1415 SHR	S4713600	X	X	X	X	X	X	X	X
	Bandkabel Display L=420 SHR	S4320020	X	X	X	X	X	X	X	X
135	Control tower voor kpl. SHR	S4322600	X	X	X	X	X	X	X	X
136	Sluiting contr.t.-luchtk. SHR	S4323200	X	X	X	X	X	X	X	X
137	Sluiting contr.t. SHR	S4323100	X	X	X	X	X	X	X	X
138	Kap ct onder SHR	S4323000	X	X	X	X	X	X	X	X
139	Kap ct midden SHR	S4322900	X	X	X	X	X	X	X	X
140	Kap ct boven dicht SHR	S4322800	X	X	X	X	X	X	X	X
141	Driewegklep motor VC2010 SHR	S4334910	X							
	Driewegklep motor VC6940 SHR	S4335010		X	X					
142	Luchtkasttemperatuurbeveiliging	S4552800	X	X	X	X	X	X	X	X
150	NTC SHR/Boiler/ZGC T2/T3/T8/T9	S4309700	X	X	X	X	X	X	X	X
151	Waterdruksensor + waterslot	S4466300	X	X	X	X	X	X	X	X
	Verloopkabel waterdruksensor	S4435400	X	X	X	X	X	X	X	X
	Voor ketels van bouwjaar '96-'99									
152	NTC aanvoer T1/E-PF NTC T3	S4307420	X	X	X	X	X	X	X	X
153	Elektrode ontst.+pakk. SHR	S4311600	X	X	X	X	X	X	X	X
	Ontstekingskabel kpl. SHR	S4323800	X	X	X	X	X	X	X	X
	Ionisatiedraad SHR	S4323900	X	X	X	X	X	X	X	X
154	Vent.motor 24V DCgedempt15-35	S4442720	X	X		X	X	X		
	Ventilatormotor 230V AC+ SHR	S4310520			X				X	X
	Aansluisn. Vent.230v shr51/60	S4319810			X				X	X
155	Gasblok PF/E/SHR	S4304700	X	X	X	X	X	X	X	X
	Adapter gasblok SHR	S4307710	X	X	X	X	X	X	X	X
156	NTC rookgas T5 SHR	S4339510	X	X	X	X	X	X	X	X
	Verl.kabel rookg.sens.SHR51/60	S4352000			X				X	X
	NTC rookgas T5 + kabel SHR	S4368200	X	X	X	X	X	X	X	X
157	Pomp UPER 20-60 SHR	S4527000	X	X		X	X	X		
	Pomp UPER 20-70 SHR	S4528500			X				X	X
158	NTC SHR/Boiler/ZGC T2/T3/T8/T9	S4309700		X	X					
	Control Tower compleet	S4779400	X	X	X	X	X	X	X	X
	Control Tower bestaat uit:									
131	Control tower achterdeel SHR	S4322700	X	X	X	X	X	X	X	X
135	Control tower voor kpl. SHR	S4322600	X	X	X	X	X	X	X	X
136	Sluiting contr.t.-luchtk. SHR	S4323200	X	X	X	X	X	X	X	X
137	Sluiting contr.t. SHR	S4323100	X	X	X	X	X	X	X	X
138	Kap ct onder SHR	S4323000	X	X	X	X	X	X	X	X
139	Kap ct midden SHR	S4322900	X	X	X	X	X	X	X	X
140	Kap ct boven dicht SHR	S4322800	X	X	X	X	X	X	X	X