

SERVICE-ONDERDELEN

Perfect

ATAG

Perfect



ATAG

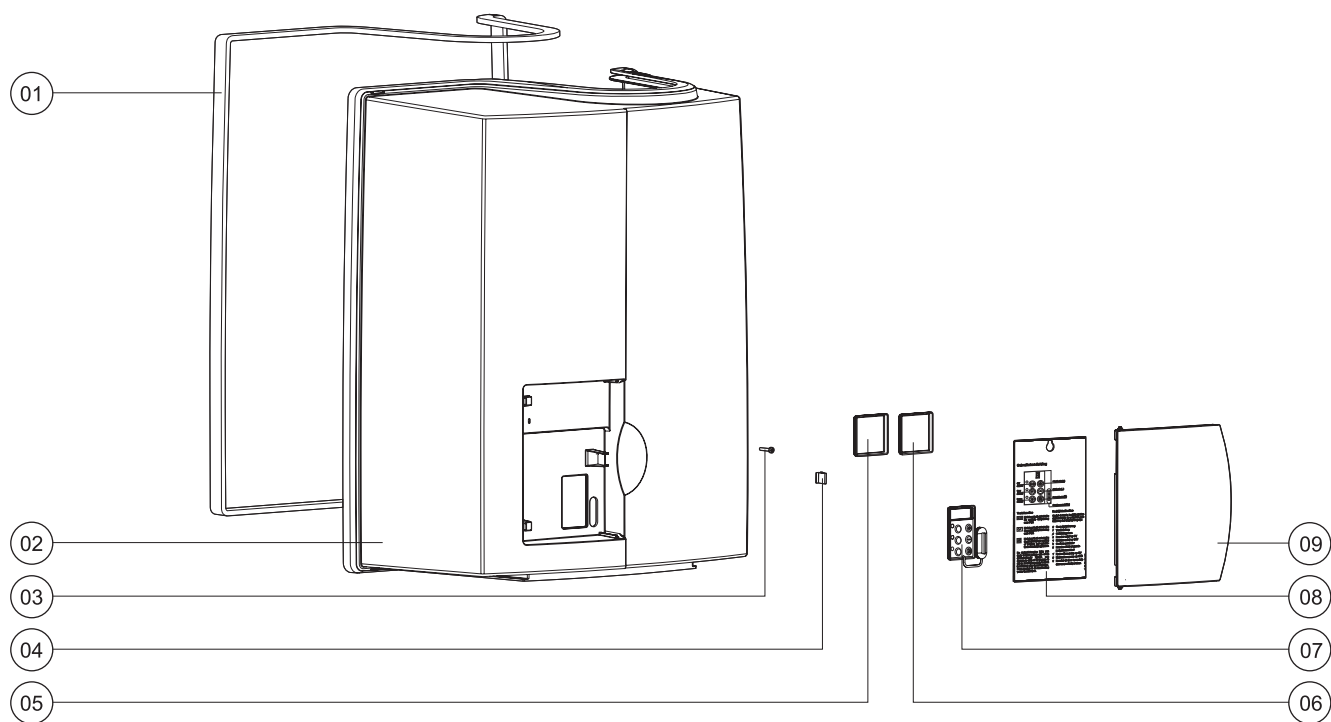
Perfect

ATAG

Perfect Intelligence

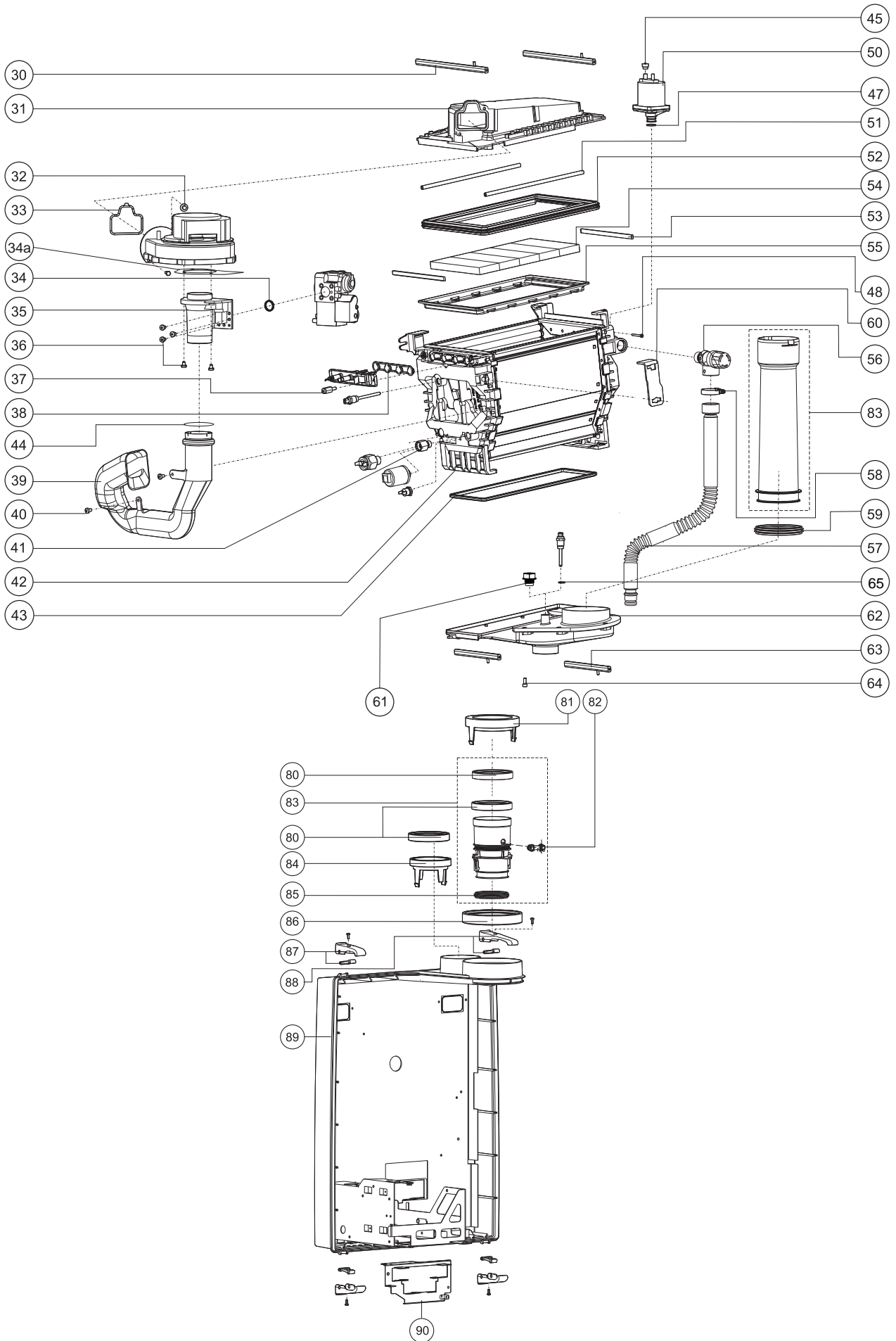
- Perfect PF-SHR 15
- Perfect PF-SHR 24
- Perfect PF-SHR 24T(i)
- Perfect PF-SHR 24T NZ
- Perfect PF-SHR 35
- Perfect PF-SHR 35T(i)
- Perfect PF-SHR 35T NZ
- Perfect Intelligence PF-SHR 24Ti
- Perfect Intelligence PF-SHR 24/32Ti

Onderdelen mantel Perfect



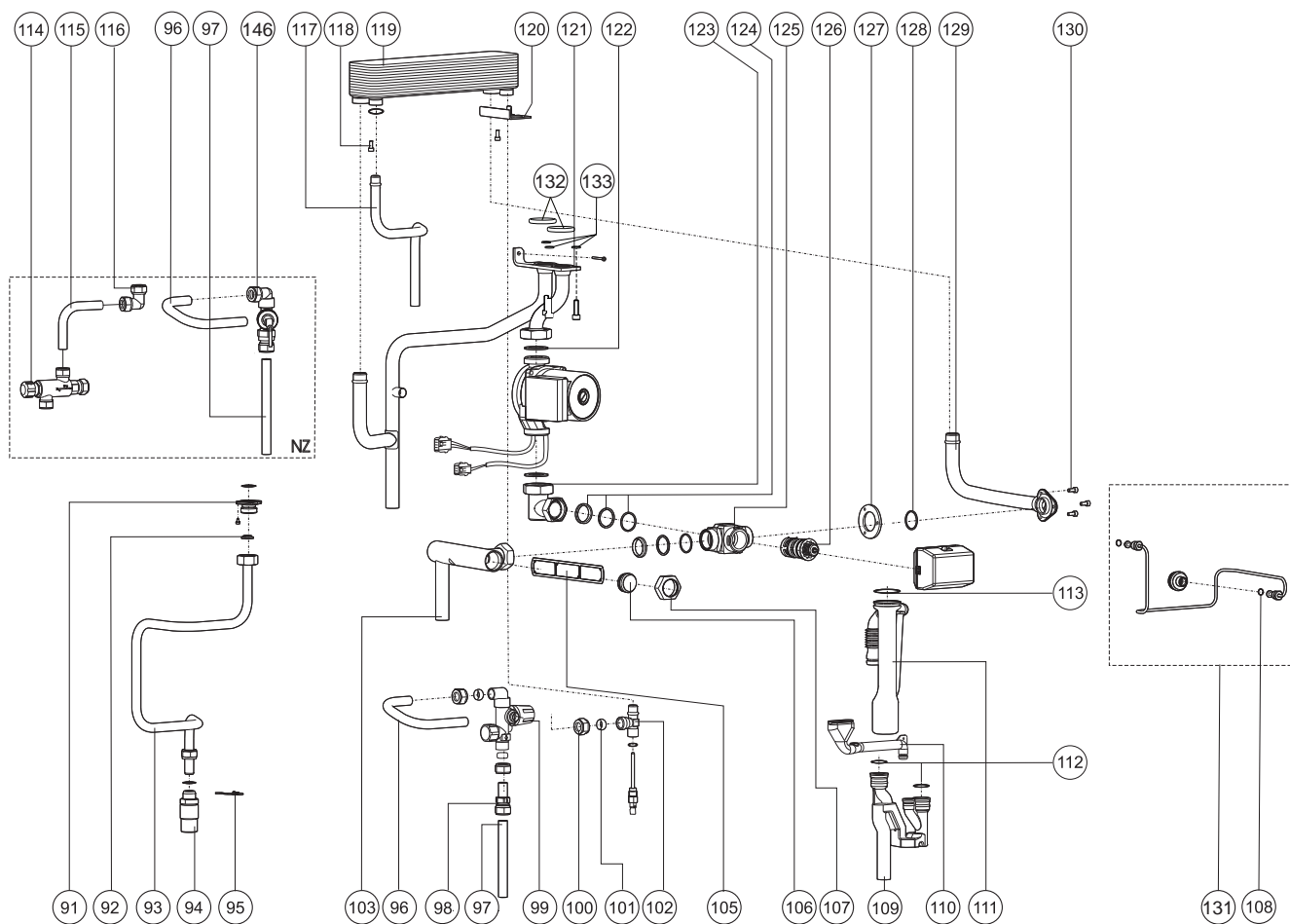
Pos.	Omschrijving	Art.nr.	Perfect PF-SHR							Intelligence		
			15	24	24T	24T NZ	35	35T	35T NZ	24T	24/32T	
<i>Bouwjaar</i>			<i>1998 - 2003</i>									
1	Afdichting mantel PF/E/SHR	S4479500	X	X	X	X	X	X	X	X	X	X
2	Mantel SAM. PF/E/SHR	S4479300									X	X
3	Schroef mantel		X	X	X	X	X	X	X	X	X	X
4	Klemveer deur mantel PF/E/SHR		X	X	X	X	X	X	X	X	X	X
5	Blindkap mantel PF/E/SHR		X	X	X	X	X	X	X	X	2x	2x
6	Venster manometer PFSHR	S4416901	X	X	X	X	X	X	X	X		
7	Afdichting bed.paneel PFSHR	S4416800	X	X	X	X	X	X	X	X		
	Afdichting bedien. pan.PF Intell.	S4479100									X	X
8	Gebruikshandl. Perf.	8A521701	X	X	X	X	X	X	X	X		
	Gebruikshandl. Perf.Intell.	8A521800									X	X
9	Deur mantel ATAG perfect		X	X	X	X	X	X	X	X		
	Deur mantel ATAG perfect intell.										X	X

Onderdelen warmteblok en achterwand Perfect



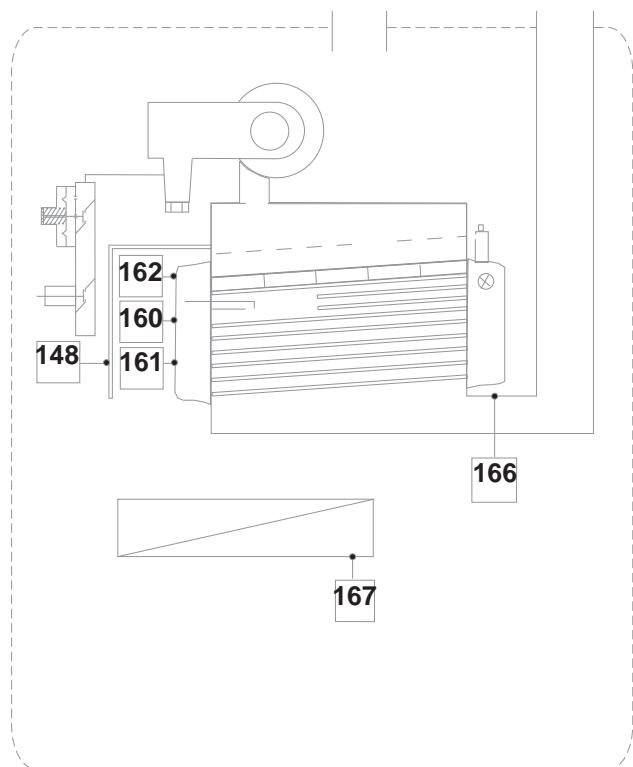
Pos.	Omschrijving	Art.nr.	Perfect PF-SHR							Intelligence	
			15	24	24T	24T	35	35T	35T	24T	24/32T
			1998 - 2003								
Bouwjaar			1998 - 2003								
30	Klemstang bovenbak lang SHR	S4310800	X	X	X	X	X	X	X	X	X
31	Bovenbak SAM. SHR15/24 1:6	S4436110	X	X	X	X					X
	Bovenbak SAM. SHR35	S4371110					X	X	X		X
32	Bout m 5x16 din933.8.8 5x		X	X	X	X	X	X	X	X	X
33	Afdichting vent./bovenbak SHR	S4305700	X	X	X	X	X	X	X	X	X
34	Afdichting gasblok-venturi SHR	S4337610	X	X	X	X	X	X	X	X	X
34a	Afdichting venturi-ventilator SHR	S4325610	X	X	X	X	X	X	X	X	X
35	Venturi SHR24	S4318810	X	X	X	X					X
	Venturi SHR35	S4318920					X	X	X		X
36	Bout M 5x12 din 7985 5x	S4345800	X	X	X	X	X	X	X	X	X
37	Bout M 6x30 ck-pz din 84/4.8 3x	S4356300	X	X	X	X	X	X	X	X	X
38	Afdichting ion/ontst. set SHR	S4397100	X	X	X	X	X	X	X	X	X
39	Aanzuigstuk E/PF/SHR15/24	S4347510	X	X	X	X					X
	Aanzuigstuk E/SHR 32/35	S4325510					X	X	X		X
40	Schroef taptite m5x 8 ck-pd 3x	S4167500	X	X	X	X	X	X	X	X	X
41	Waterslot druksensor SHR	S4325900	X	X	X	X	X	X	X	X	X
42	Warmtewisselaar 15-24kW		X	X	X	X					X
	Warmtewisselaar 35kW						X	X	X		X
43	Afd. wiss./Condensb.SHR 15/24	S4306300	X	X	X	X					X
	Afd. wiss./Condensb.SHR 35	S4306400					X	X	X		X
44	Afdichtring aanzuigst-vent.SHR	S4309500	X	X	X	X	X	X	X	X	X
45	Dop ontluchter SHR 3x	S4380600	X	X	X	X	X	X	X	X	X
47	O-ring ø13,94x2,62 ontl.SHR 2x	S4342300	X	X	X	X	X	X	X	X	X
48	Bout M 3x30 verz.din84/4.8 3x	S4345900	X	X	X	X	X	X	X	X	X
49	Revisieset isolatieplaten SHR	S4500010	X	X	X	X	X	X	X	X	X
50	Ontluchter E/PF/SHR chroom	S4419110	X	X	X	X	X	X	X	X	X
51	Slang siliconen l=14cm	S4440200	X	X	X	X					X
	Slang siliconen l=25cm	S4440300					X	X	X		X
52	Afdichting branderbed SHR15/24	S4305910	X	X	X	X					X
	Afdichting branderbed SHR35	S4306000					X	X	X		X
53	Fiberfrax 165x 8x3	S4335300	X	X	X	X	X	X	X	X	X
54	Branderbed SHR 15/24kw	S4330130	X	X	X	X					X
	Branderbed S-HR 35/35T	S4523920					X	X	X		X
	Brandersteen langs prof.	S4215200	3X	3X	3X	3X	5x	5x	5x	3X	5x
55	Opsluitlyst brander SHR15/24	S4304310	X	X	X	X					X
	Opsluitlyst brander SHR35	S4304410					X	X	X		X
56	Overstort 3 BAR PF/E/SHR	S4344630	X	X	X	X	X	X	X	X	X
57	Leiding overstort PF/E-SHR	S4421400	X	X	X	X	X	X	X	X	X
	O-RING ø18,72X2,62 EPDM 3x	S4443200	X	X	X	X	X	X	X	X	X
58	Slangklem 20-32 mm RVS	S4395600	X	X	X	X	X	X	X	X	X
59	LIP-RING ø63 AMGAS	S4307900	X	X	X	X					X
	LIP-RING ø80 AMGAS	S4304200					X	X	X		X
60	Bevestigingshaak bovenbak	S4308500	X	X	X	X	X	X	X	X	X
61	Stop 1/4"	S4674500	X	X	X	X	X	X	X	X	X
62	Condensbak SHR15/24	S4406920	X	X	X	X					X
	Condensbak SHR35	S4407020					X	X	X		X
63	Klemstang condensb PF/E/SHR	S4310700	X	X	X	X	X	X	X	X	X
64	Bout m5 x 12 imbus verz. 3x	S4440000	X	X	X	X	X	X	X	X	X
65	O-ring ø5x2	S4329400									
80	Afdichting luchttoev. ø 80SHR	S4323510	X	X	X	X	X	X	X		
81	Deksel luchttoevoer ø 120/80	S4323410	X	X	X	X	X	X	X	X	X
82	Tule + stop uitlaatstomp	S4521600	X	X	X	X	X	X	X	X	X
83	Rookg.afv.ppSHR/E/PF15-24 mr	S4499400	X	X	X						X
	Rookg.afv. pp. SHR/E/PF35 zr	S4500500				X	X	X	X		X
84	Deksel luchttoev. 80 SHR	S4323310	X	X	X	X	X	X	X	X	X
85	Afdichting uitlaatpyp pp SHR	S4472600	X	X	X	X	X	X	X	X	X
86	Afdichting luchttoevoer ø120 SHR	S4323710	X	X	X	X	X	X	X	X	X
87	Sluiting klein PF/E-SHR	S4415220	X	X	X	X	X	X	X	X	X
88	Sluiting groot PF/E-SHR	S4415120	X	X	X	X	X	X	X	X	X
89	Achterwand PF/E-SHR		X	X	X	X	X	X	X	X	X
	Ophangbeugel SHR15/24/35	S4341610	X	X	X	X	X	X	X	X	X
90	Beugel aansluitblok										X

Onderdelen leidingen achterwand Perfect



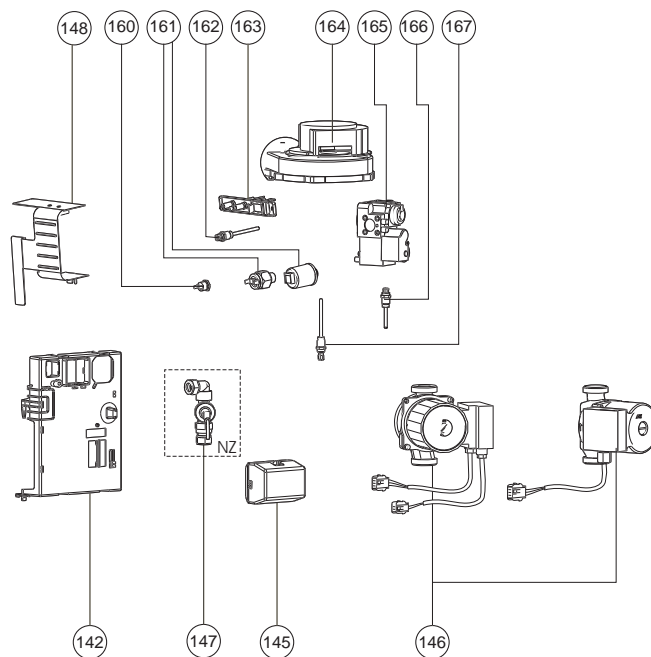
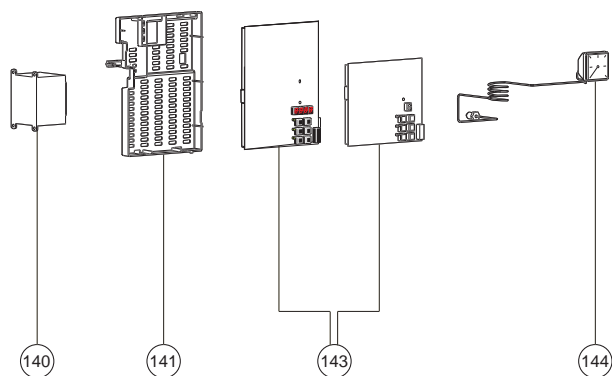
Pos.	Omschrijving	Art.nr.	Perfect PF-SHR							Intelligence	
			15	24	24T	24T	35	35T	35T	24T	24/32T
						NZ			NZ		
Bouwjaar			1998 - 2003								
91	Koppeling regelblok 3/4"SHR	S4340900	X	X	X	X	X	X	X	X	X
	O-ring ø21,89x2,62 gasleiding 3x	S4334500	X	X	X	X	X	X	X	X	X
92	Afdichting kopp.3/4"gasbl.SHR	S4340830	X	X	X	X	X	X	X	X	X
93	Gasleiding PF/E-SHR 15/24	S4321900	X	X	X	X					X
	Gasleiding PF/E-SHR 35	S4333800						X	X	X	
94	Pijpnippel gasleid. 1/2" bi+O-ring	S4493300	X	X	X	X	X	X	X	X	X
	O-ring ø13,94x2,62 geel silic.	S4328710	X	X	X	X	X	X	X	X	X
95	Borgveer gasleiding PF/E-SHR		X	X	X	X	X	X	X	X	X
96	Leiding ø15 incl.c.-plw PF/E-SHR				X	X		X	X	X	X
97	Leiding ing. ø15 koud PF/E-SHR				X	X		X	X	X	X
	Leiding ø15 koud plw PF-SHR				X			X			
98	Doseerventiel 6l/min. zwart	S4169500	X	X	X	X					X
	Doseerventiel 8-8.5 l/min. wit	S4262700						X	X	X	
99	Inlaatcombinatie PF/E-SHR	S4537400									X
100	Wartel 1/2" g knel 15	S1035700			X	X		X	X	X	X
101	Knelring ø15 messing				X	X		X	X	X	X
102	T-stuk ntc3 PF/E-SHR	S4402400			X	X		X	X	X	X
	O-ring ø5,0x2,0aanv.sens.SHR 5x	S4329400	X	X	X	X	X	X	X	X	X
103	leiding filter-pomp PF/E-SHR	S4451900	X	X				X			
	Leiding ret-dwk filt PF/E-SHR	S4402301			X	X		X	X	X	X
105	Filter retourleiding SHR	S4317500	X	X	X	X	X	X	X	X	X
106	Afsluitpl. Filter/kortsl. PF/E-SHR	S4454900			X	X		X	X	X	X
	O-ring ø25,07 x 2,62 dwk	S4158300			X	X		X	X	X	X
107	Wartel m 35 30ø	S4259500	X	X	X	X	X	X	X	X	X
108	O-ring ø5,0x2,0 aanv.sens.SHR 5x	S4329400			X	X		X	X	X	X
109	Condensverzamelstuk PF/E-SHR	S4421300	X	X	X	X	X	X	X	X	X
110	Overstortl. inlaatcomb. PF/E-SHR	S4421510			X	X			X	X	X
	O-ring ø12,42x1,78sif.PF/E-SHR3x	S4342400			X	X			X	X	X
111	Sifon PF/E-SHR	S4421200	X	X	X	X	X	X	X	X	X
112	O-ring ø40x3,53 sif.condensb.SHR	S4309900	X	X	X	X	X	X	X	X	X
113	O-ring ø18,72x2,62 EPDM 3x	S4443200	X	X	X	X	X	X	X	X	X
114	Therm.mengvent. ø15 knel	S4312500				X			X		
115	Warmwaterleiding PF/E-SHR NZ					X			X		
116	Kniekoppeling 15 x 15 knel					X			X		
117	Leiding ø15 warm PF/E-SHR	S4401600			X	X		X	X	X	X
118	Bout m 5x12 imbus verz. 3x	S4440000			X	X		X	X	X	X
119	Platenwisselaar 24kw PF/E-SHR	S4462400			X	X					X
	Platenwisselaar 35kw PF/E-SHR	S4722600						X	X		X
	O-ring ø13,94x2,62 ontl.SHR 2x	S4342300			X	X		X	X	X	X
	O-ring ø21,89x2,62 EPDM 2x	S4360500			X	X		X	X	X	X
120	Steunbeugel platenwis.PF/E-SHR				X	X		X	X	X	X
121	Leiding aanvoer PF/ESHR15/24	S4451800	X	X							X
	Leiding aanv.plw-cv PF/E-SHR24T	S4401201			X	X					X
	Leiding aanvoer PF/ESHR 35										X
	Leid.Aanv.plw-cvPF/E-SHR32/35T	S4401301						X	X		X
	Bout m6x20rvs(a2)imb. Bp.4,2 3x	S4307220			3X	3X		3X	3X	3X	3X
	O-ring ø4,8x1,8 borg.ww SHR 3x	S4322320			3X	3X		3X	3X	3X	3X
122	Pomppakking 2x	S1003810	2X	2X	2X	2X	2X	2X	2X	2X	2X
123	Leiding dwk-pomp PF/E-SHR	S4436700	X	X	X	X	X	X	X	X	X
124	Koppelingset driewegklep	S4161300			X	X		X	X	X	X
	- 3x steunring driewegklep										
	- 3x o-ring 25x2,62										
	Wartel m35 30ø	S4259500			3X	3X		3X	3X	3X	3X
	O-ring ø26,70x 1,78 3x	S4259800			3X	3X		3X	3X	3X	3X
125	Driewegklep huis VC O-ring	S4308200			X	X		X	X	X	X
126	Cartridge VC-driewegklep	S4268400			X	X		X	X	X	X
127	Flensplaat dwk	S4371700			X	X		X	X	X	X
128	O-ring ø26,70x 1,78 boiler 3x	S4259800			X	X		X	X	X	X
129	Leiding plw-dwk PF/E-SHR	S4401401			X	X		X	X	X	X
130	Bout m 5x12 imbus verz. 3x	S4440000			X	X		X	X	X	X
131	Kortsluitleiding compleet PF-SHR	S4462600			X	X		X	X		
	Kortsluitleiding compleet E-SHR	S4489800								X	X
132	O-ring ø29.74x3.53 aanv./ret. (2x)	S4312300	2X	2X	2X	2X	2X	2X	2X	2X	2X
133	O-ring ø4.76x1.78 borg WW (3x)	S4322320	3X	3X	3X	3X	3X	3X	3X	3X	3X

Onderdelen elektrische componenten Perfect



- 162 T1 aanvoersensor
- 160 T2 retoursensor
- 167 T3 warmwatersensor
- 166 T5 rookgassensor
- 148 T10 luchtkasttemperatuurbeveiliging

- 161 P1 waterdruksensor



Pos.	Omschrijving	Art.nr.	Perfect PF-SHR						Intelligence		
			15	24	24T	24T	35	35T	35T	24T	24/32T
			NZ								
Bouwjaar			1998 - 2003								
140	Trafo 72 va + zelftappers SHR	S4324900	X	X	X	X	X	X	X	X	X
	Bevestigingsschroef 5x	S4370300	X	X	X	X	X	X	X	X	X
141	Bedieningsunit achter PF/E-SHR	S4417100	X	X	X	X	X	X	X	X	X
142	Bedieningsunit voor PF/E-SHR	S4417000	X	X	X	X	X	X	X	X	X
143	Ombouwset stuuraut. 1416/5417 15		X								
	Ombouwset stuuraut. 1416/5417 24	S4582300		X							
	Ombouwset stuuraut. 1416/5417 24T	S4582400			X						
	Ombouwset stuuraut. 1416/5417 24T NZ	S4582800				X					
	Ombouwset stuuraut. 1416/5417 35	S4582600					X				
	Ombouwset stuuraut. 1416/5417 35T	S4582700						X	X		
	Stuurautomaat 5417 E-SHR	S4736200								X	X
	Aansluitsnoer 230v PF/SHR	S4407300	X	X	X	X	X	X	X	X	X
	Kabelboom 24v PF-SHR	S4417920	X	X	X	X	X	X	X		
	Anticipatieweerst. 220 Ohm SHR	S4325000	X	X	X	X	X	X	X	X	X
	Sticker x2 PF	8A356100	X	X	X	X	X				
	Stekker 2-polig paars	S4320300								X	X
	Stekker 2-polig zwart	S4320500								X	X
	Stekker 3-polig grijs	S4380900								X	X
	Zekering glas 100 MA 250 3X	S4352800								X	X
	Zekering glas 2,0 AF 250 3X	S4353000								X	X
	Zekering glas 3,0 AT 250 3X	S4352900								X	X
	3x Zekering 4 AT (250V)	S4463500								X	X
144	Waterdrukmeter PF-SHR	S4420300	X	X	X	X	X	X	X		
145	Driewegklep motor vc2010 SHR	S4334910			X	X		X	X	X	X
146	Pomp ups 20-50	S4298200	X	X	X	X				X	
	Pomp up 20-60	S4298100					X	X	X		X
147	Stromingsschakel.2,5 LTR pf/eshr	S4498900				X					
148	Luchtkasttemperatuurbeveiliging	S4552800	X	X	X	X	X	X	X	X	X
160	NTC SHR/Boiler/ZGC T2/T3/T8/T9	S4309700	X	X	X	X	X	X	X	X	X
161	Waterdrukbev.0,8 bar 3/8"bu. PF	S4421800	X	X	X	X	X	X	X		
	Waterdruksensor + waterslot	S4466300								X	X
	Verloopkabel waterdruksensor Voor ketels van bouwjaar '96-'99	S4435400								X	X
162	NTC aanvoer T1/E-PF NTC T3	S4307420	X	X	X	X	X	X	X	X	X
163	Elektrode ontst.+pakk. SHR	S4311600	X	X	X	X	X	X	X	X	X
	Ontstekingskabel PF/E-SHR kpl.	S4440900	X	X	X	X	X	X	X	X	X
164	Vent.mot.24v DCged.15/24/35	S4442720	X	X	X	X	X	X	X	X	X
165	Gasblok PF/E/SHR	S4304700	X	X	X	X	X	X	X	X	X
166	NTC rookgas T5 + kabel PF-SHR	S4465100	X	X	X	X	X	X	X		
	NTC rookgas T5 + kabel SHR	S4368200								X	X
	NTC rookgas T5 SHR	S4339510	X	X	X	X	X	X	X	X	X
	Verl.kabel rookg.sensor	S4352000								X	X
167	NTC aanvoer T1/E-PF NTC T3	S4307420			X	X		X	X	X	X
168	Kabelboom compleet E-SHR	S4467210								X	X
	Sticker aansluitblok enigma intell.	8A352202								X	X