

# SERVICE-ONDERDELEN

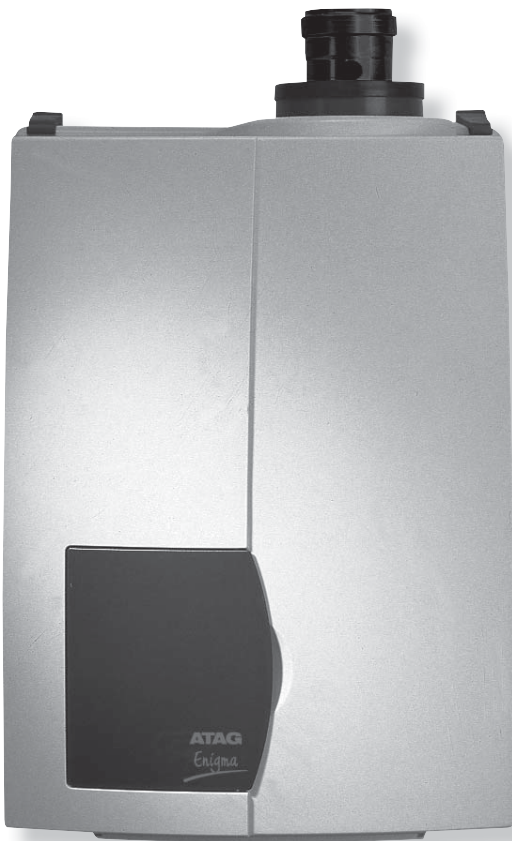
---

## Enigma en Benraad BR-Serie

---

# ATAG

# Enigma

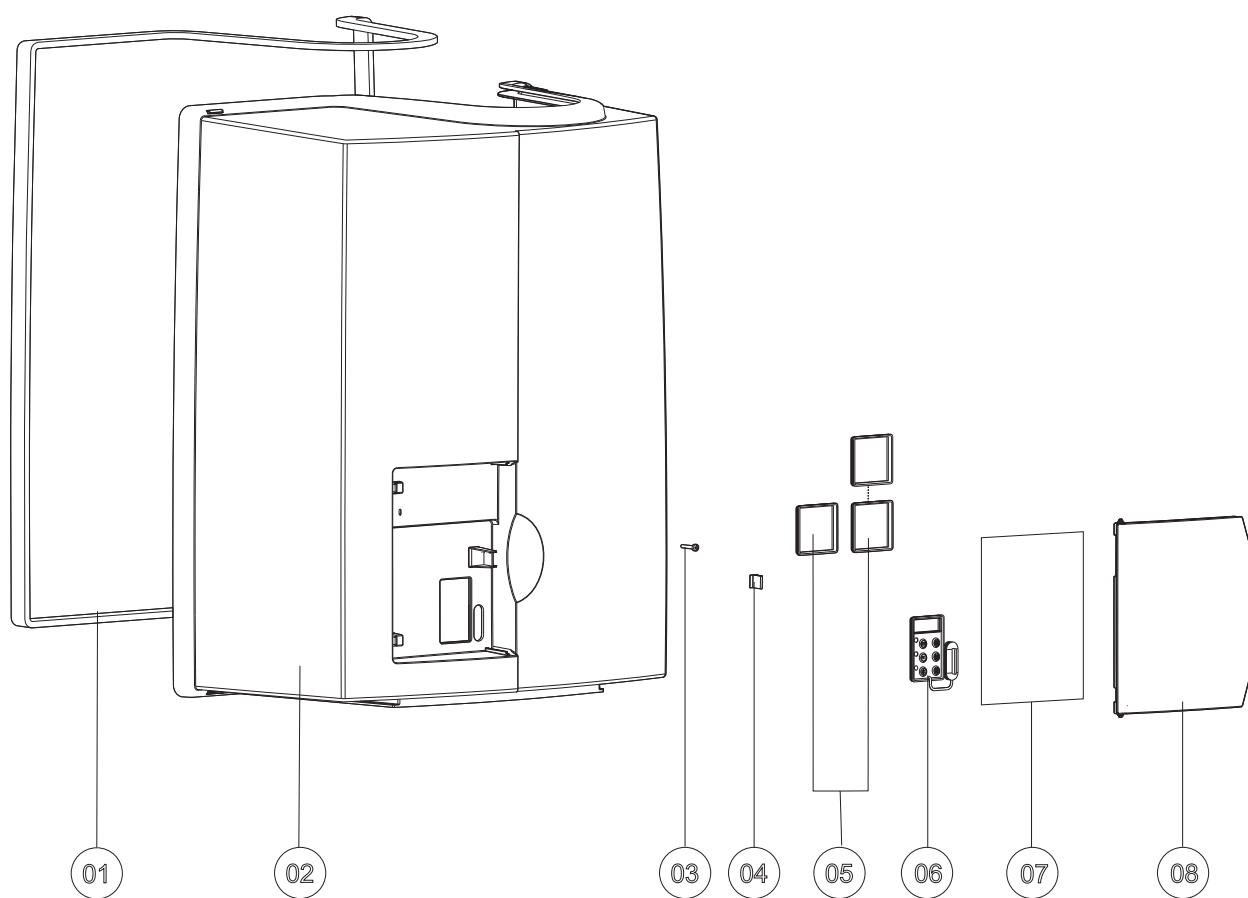


- Enigma Standard E-SHR 24T
- Enigma Standard E-SHR 32T
- Enigma E- SHR 24T
- Enigma E-SHR 24T NZ
- Enigma Comfort E-SHR 24/32T
- Enigma Comfort E-SHR 28/35T



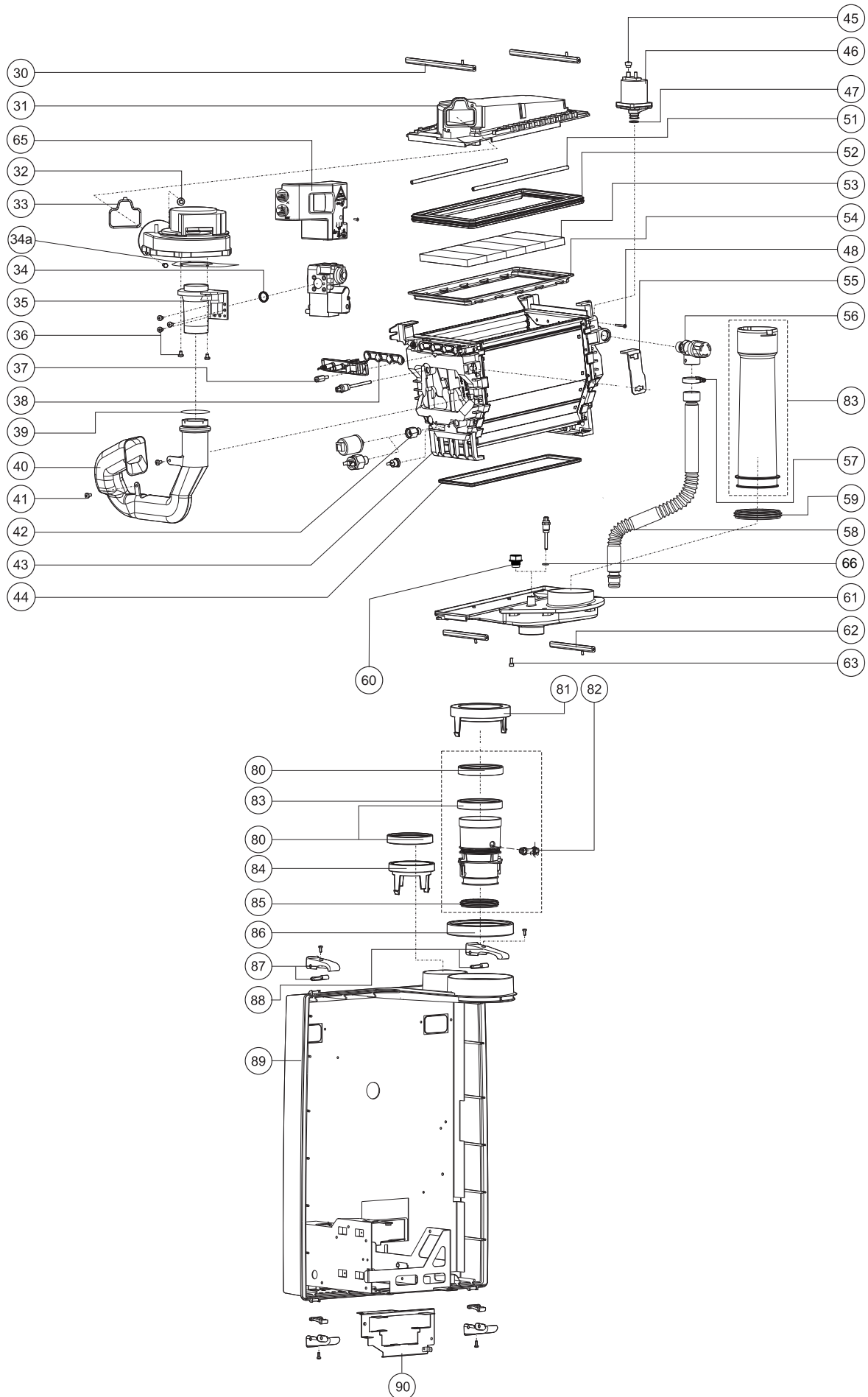
- Benraad BR24C
- Benraad BR24Ci
- Benraad BR24/32C
- Benraad BR35Ci
- Benraad BR35S

## Onderdelen mantel Enigma en Benraad



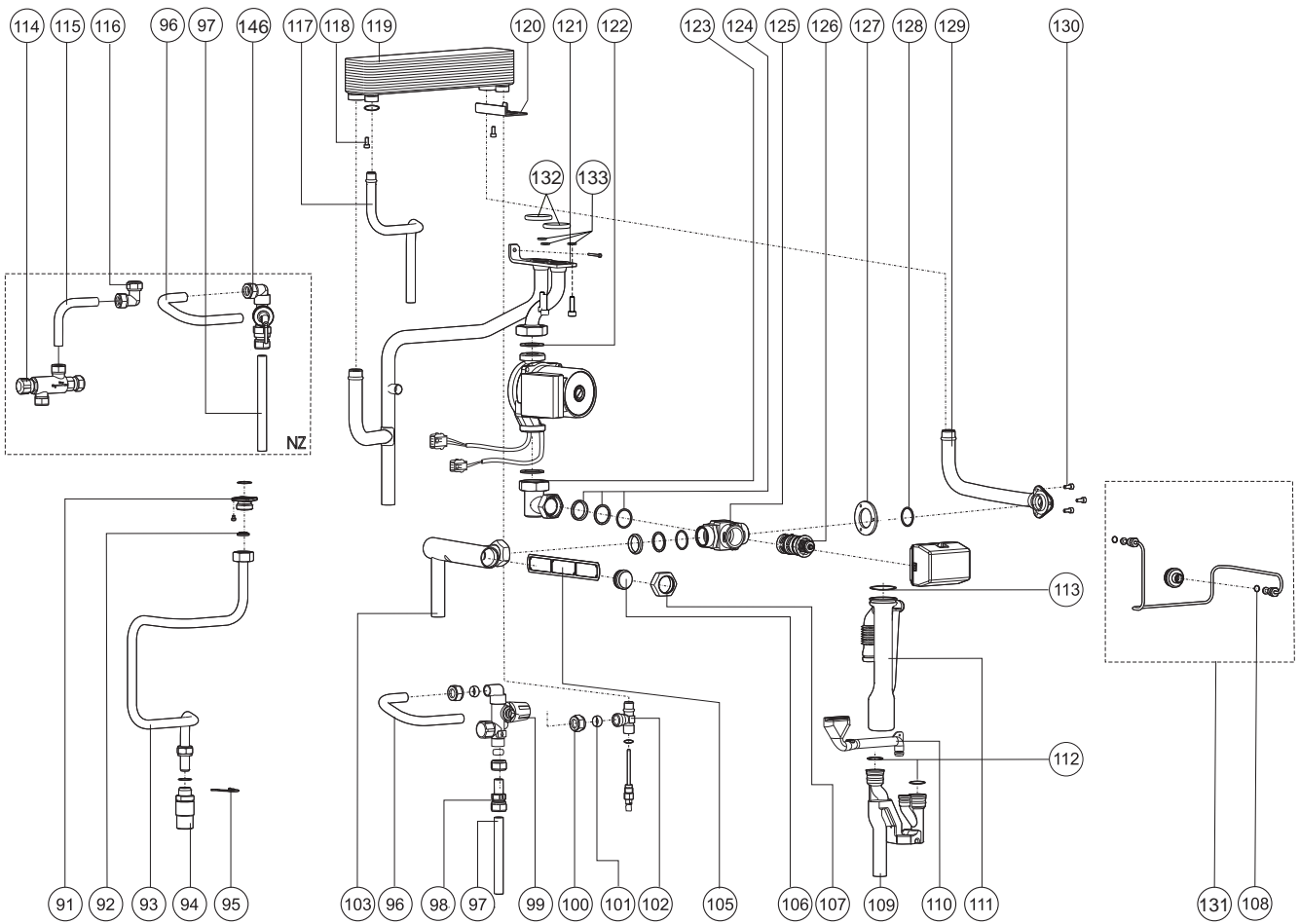
Pos.	Omschrijving	Art.nr.	Enigma E-SHR en Benraad BR					
			Standard		24T	24T	24/32T	28/35T
			24 T	32 T		NZ	Comfort	
			2000 - 2001		1999 - 2006	99-'03	03-'06	
Bouwjaar		Benraad type >		24C(i)	24/32C	35Ci	35S	
Bouwjaar		2004 - 2009						
1	Afdichting mantel PF/E-SHR	S4479500	X	X	X	X	X	X
2	Mantel sam. PF/E-SHR incl. afd.	S4479300			X	X	X	X
3	Schroef mantel M5X20		X	X	X	X	X	X
4	Klemveer deur mantel PF/E-SHR		X	X	X	X	X	X
5	Blindkap mantel PF/E-SHR				2X	2X	2X	2X
	Venster manometer PF/SHR	S4416901	X	X				
6	Afdichting bedien. Paneel E-SHR	S4479100			X	X	X	X
	Afdichting bedien. Paneel PFSHR	S4416800	X	X				
7	Gebruikshandleiding Enigma	8A5221xx			X	X	X	X
	Gebruikshandleiding Enigma Strd	8A5214xx	X	X				
	Gebruikshandleiding Benraad BR	9A5217xx			X		X	X
	Installatievoorschrift Benraad BR	9A5117xx			X		X	X
8	Deur mantel E-SHR Standard		X	X				
	Deur mantel E-SHR	S4477600			X	X		X
	Deur mantel E-SHR Comfort						X	
8	Deur mantel Benraad	S4559701			X		X	X

# Onderdelen warmteblok en achterwand Enigma en Benraad



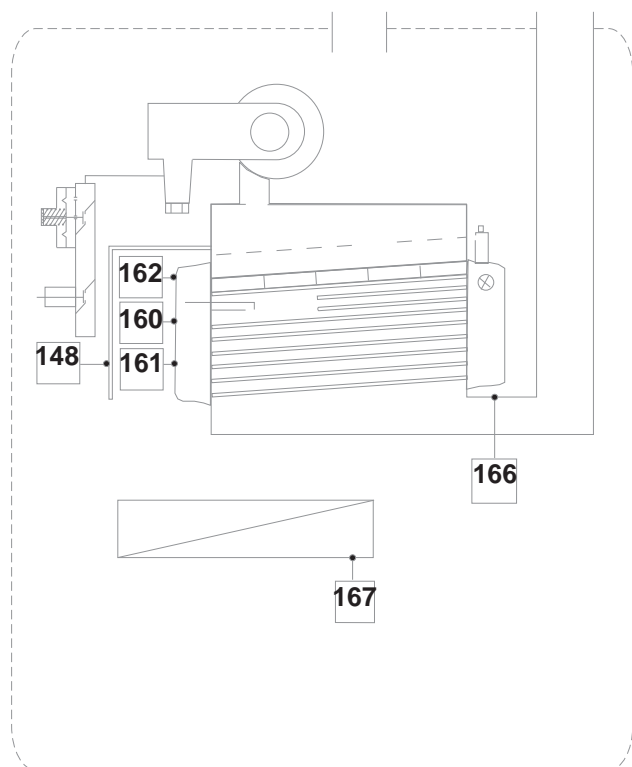
Pos.	Omschrijving	Art.nr.	Enigma E-SHR en Benraad BR					
			Standard		24T	24T	24/32T	28/35T
			24 T	32 T		NZ	Comfort	
			2000 - 2001		1999 - 2006	99-'03	03-'06	
Bouwjaar		Benraad type >		24C(i)	24/32C	35Ci	35S	
Bouwjaar		2004 - 2009						
30	Klemstang bovenbak lang SHR	S4310800	X	X	X	X	X	X
31	Bovenbak sam. SHR15/24 1:6	S4436110	X	X	X	X		
	Bovenbak sam. SHR35	S4371110				X	X	X
32	5x bout m 5x16 din933.8.8		X	X	X	X	X	X
33	Afdichting vent./bovenbak SHR	S4305700	X	X	X	X	X	X
34	Afdichting gasblok-venturi SHR	S4337610	X	X	X	X	X	X
34a	Afdichting venturi-ventilator SHR	S4325610	X	X	X	X	X	X
35	Venturi SHR24	S4318810	X	X	X	X		
	Venturi SHR35	S4318920		X		X	X	X
36	Bout m 5x12 gr fase zs din798 5 x	S4418710	X	X	X	X	X	X
37	Bout m 6x30 ck-pz din 84/4.8 3x	S4356300	X	X	X	X	X	X
38	Afdichting ion/ontst. set SHR	S4397100	X	X	X	X	X	X
39	Afdichtring aanzuigst-vent.SHR	S4309500	X	X	X	X	X	X
40	Aanzuigstuk E/PF/SHR15/24	S4347510	X	X	X	X		
	Aanzuigstuk e/SHR 32/35	S4325510		X		X	X	X
41	Schroef taptite m5x 8 ck-pd 3x	S4167500	X	X	X	X	X	X
42	Waterslot druksensor SHR	S4325900	X	X	X	X	X	X
43	Warmtewisselaar 15-24kW		X		X	X		
	Warmtewisselaar 35kW			X		X	X	X
	Kogelkopsleutel	S4363700	X	X	X	X	X	X
	Anti Condensbussen kijkglas SHR 3x	S4344200	X	X	X	X	X	X
44	Afd. Wiss./condensb.SHR15/24	S4306300	X	X	X	X		
	Afd. Wiss./condensb.SHR35	S4306400		X		X	X	X
45	Dop ontluchter SHR 3x	S4380600	X	X	X	X	X	X
46	Ontluchter E/PF/SHR chroom	S4419110	X	X	X	X	X	X
47	O-ring ø13,94x2,62 ontl.SHR 2x	S4342300	X	X	X	X	X	X
48	Bout m 3x30 verz.din84/4.8 3x	S4345900	X	X	X	X	X	X
49	Revisieset isolatieplaten SHR	S4500010	X	X	X	X	X	X
51	Slang siliconen l=14cm	S4440200	X		X	X		
	Slang siliconen l=25cm	S4440300		X		X	X	X
52	Afdichting branderbed SHR15/24	S4305910	X	X	X	X		
	Afdichting branderbed SHR35	S4306000		X		X	X	X
	Fiberfrax 165x 8x3 2x	S4335300	X	X	X	X	X	X
53	Branderbed SHR 15/24kW	S4330130	X	X	X	X		
	Branderbed S-HR 35/35t	S4523920		X		X	X	X
54	Opsluitlyst brander SHR15/24	S4304310	X	X	X	X		
	Opsluitlyst brander SHR35	S4304410		X		X	X	X
55	Bevestigingshaak bovenbak	S4308500	X	X	X	X	X	X
56	Overstort 3 bar PF/E/SHR	S4344630	X	X	X	X	X	X
57	Slangklem 20-32 mm RVS	S4395600	X	X	X	X	X	X
58	Leiding overstort PF/E-SHR	S4421400	X	X	X	X	X	X
	O-ring ø18,72x2,62 EPDM 3x	S4443200	X	X	X	X	X	X
59	Lip-ring ø63 amgas	S4307900	X		X	X		
	Lip-ring ø80 amgas	S4304200		X		X	X	X
60	Stop 1/4"	S4674500	X	X	X	X	X	X
61	Condensbak SHR15/24	S4406920	X	X	X	X		
	Condensbak SHR35	S4407020		X		X	X	X
62	Klemstang condensb PF/E/SHR	S4310700	X	X	X	X	X	X
63	Bout m 5x12 imbus verz. 3x	S4440000	X	X	X	X	X	X
65	Gasblok afdekkap		X	X	X	X	X	X
66	O-ring ø5x2	S4329400						
80	Afdichting luchttoev. ø 80 SHR	S4323510	X	X	X	X	X	X
81	Deksel luchttoevoer ø 120/80	S4323410	X	X	X	X	X	X
82	Tule + stop uitlaatstomp	S4521600	X	X	X	X	X	X
83	Rookg.afv.pp sam.15-24 mr	S4499400	X		X	X		
	Rookg.afv. pp. sam. 35 zr	S4500500		X		X	X	X
84	Deksel luchttoev. 80 SHR	S4323310	X	X	X	X	X	X
85	Afdichting uitlaatpyp pp SHR	S4472600	X	X	X	X	X	X
86	Afdichting luchttoevoer ø120 SHR	S4323710	X	X	X	X	X	X
87	Sluiting klein PF/E-SHR	S4415220	X	X	X	X	X	X
88	Sluiting groot PF/E-SHR	S4415120	X	X	X	X	X	X
89	Achterwand PF/E-SHR		X	X	X	X	X	X
	Ophangbeugel SHR15/24/35	S4341610	X	X	X	X	X	X
90	Beugel aansluitblok		X	X	X	X	X	X

# Onderdelen leidingen Enigma en Benraad

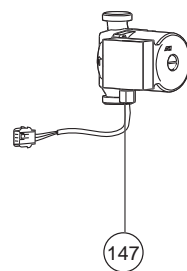
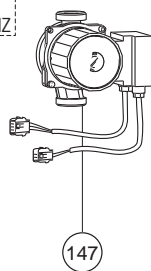
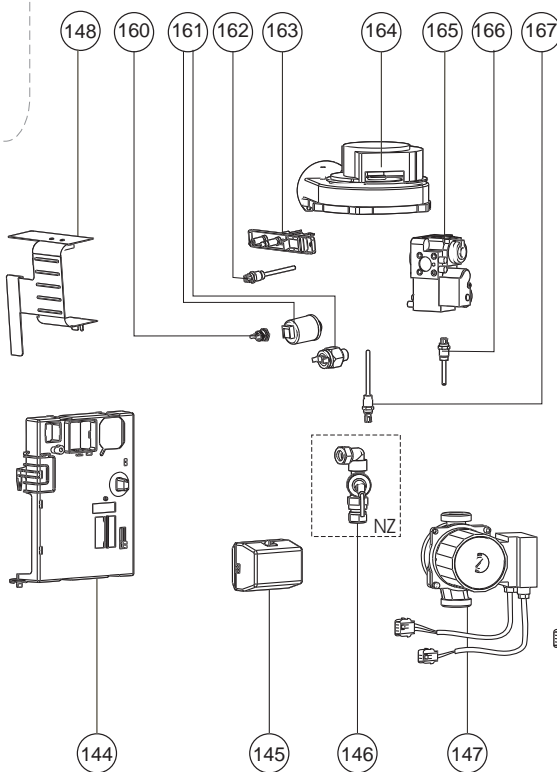
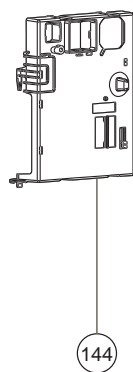
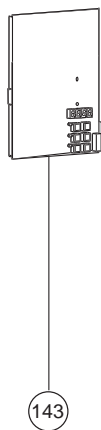
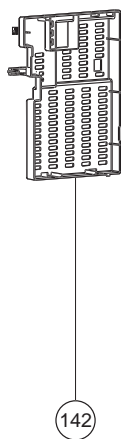
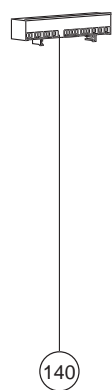


Pos.	Omschrijving	Art.nr.	Enigma E-SHR en Benraad BR						
			Standard		24T	24T	24/32T	28/35T	
			24 T	32 T		NZ	Comfort		
			2000 - 2001		1999 - 2006	99-'03	03-'06		
Bouwjaar		Benraad type >		24C(i)	24/32C	35Ci	35S		
Bouwjaar		2004 - 2009							
91	Koppeling regelblok 3/4"SHR	S4340900	X	X	X	X	X	X	X
	3x O-ring ø21,89x2,62 gasleiding	S4334500	X	X	X	X	X	X	X
92	Afdichting kopp.3/4"gasbl.SHR	S4340830	X	X	X	X	X	X	X
93	Gasleiding PF/E-SHR 15/24	S4321900	X		X	X			
	Gasleiding PF/E-SHR35	S4333800		X			X	X	X
94	Pijpnippel gasleid. 1/2" bi+O-ring	S4493300	X	X	X	X	X	X	X
	O-ring ø13,94x2,62 geel silic.	S4328710	X	X	X	X	X	X	X
95	Borgveer gasleiding PF/E-SHR		X	X	X	X	X	X	X
96	Leiding ø15 inl.c.-plw PF/E-SHR		X	X	X	X	X	X	
97	Leiding ing. ø15 koud PF/E-SHR		X	X	X	X	X	X	
98	Doseerventiel 6l/min zwart	S4169500	X		X	X			
	Doseerventiel 8-8.5 l/min wit	S4262700		X			X	X	
99	Inlaatcombinatie PF/E-SHR	S4537400	X	X	X		X	X	
100	Wartel 1/2" g knel 15	S1035700	X	X	X	X	X	X	
101	Knelling ø15 messing		X	X	X	X	X	X	
102	T-stuk ntc3 PF/E-SHR	S4402400	X	X	X	X	X	X	
	O-ring ø5,0x2,0aanv.sens.SHR 5x	S4329400	X	X	X	X	X	X	
103	Leiding ret-dwk filt PF/E-SHR	S4402301	X	X	X	X	X	X	
	Leiding filter-pomp PF/E-SHR	S4451900							X
	Vul- en aftapkraan	S1002200	X	X	X	X	X	X	X
105	Filter retourleiding SHR	S4317500	X	X	X	X	X	X	X
106	Afsluitpl. Filter/kortsl. PF/E-SHR	S4454900	X	X	X	X	X	X	
	O-ring ø25,07 x 2,62 dwk	S4158300	X	X	X	X	X	X	X
107	Wartel m35 30ø	S4259500	X	X	X	X	X	X	X
108	O-ring ø5,0x2,0 aanv.sens. SHR5x	S4329400	X	X	X	X	X	X	
109	Condensverzamelstuk PF/E-SHR	S4421300	X	X	X	X	X	X	X
110	Afvoerl. inlaatcomb. PF/E-SHR	S4421510	X	X	X		X	X	
	O-ring ø12,42x1,78sif.PF/E-SHR3x	S4342400	X	X	X		X	X	
111	Sifon PF/E-SHR	S4421200	X	X	X	X	X	X	X
112	O-ring ø40x3,53 sif.condensb.SHR	S4309900	X	X	X	X	X	X	X
113	O-ring ø18,72x2,62 EPDM 3x	S4443200	X	X	X	X	X	X	X
114	Therm.mengvent. ø15 knel	S4312500				X			
115	Warmwaterleiding PF/E-SHR NZ					X			
116	Kniekoppeling 15 x 15 knel					X			
117	Leiding ø15 warm PF/E-SHR	S4401600	X	X	X	X	X	X	
118	Bout m 5x12 imbus verz. 3x	S4440000	X	X	X	X	X	X	
119	Platenwisselaar 24kw PF/E-SHR	S4462400	X		X	X			
	Platenwisselaar 35kw PF/E-SHR	S4722600		X			X	X	
	O-ring ø13,94x2,62 ontl.SHR 2x	S4342300	X	X	X	X	X	X	
	O-ring ø21,89x2,62 EPDM 2x	S4360500	X	X	X	X	X	X	
120	Steunbeugel platenwis.PF/E-SHR		X	X	X	X	X	X	
121	Leiding aanv.plw-cv PF/E-SHR24T	S4401201	X		X	X			
121	Leid.Aanv.plw-cvPF/E-SHR32/35T	S4401301		X			X	X	
	Leiding aanvoer PF/ESH 35								X
	Bout m6x20 rvs(a2)imb. Bp.4,2 3x	S4307220	3X	3X	3X	3X	3X	3X	
	O-ring ø4,8x1,8 borg.ww SHR 3x	S4322320	3X	3X	3X	3X	3X	3X	
122	Pomppakking 2x	S1003810	2X	2X	2X	2X	2X	2X	2X
123	Leiding dwk-pomp PF/E-SHR	S4436700	X	X	X	X	X	X	
124	Koppelingset driewegklep	S4161300	X	X	X	X	X	X	
	- 3x steurnring driewegklep								
	- 3x o-ring 25x2,62								
	Wartel m35 30ø	S4259500	3X	3X	3X	3X	3X	3X	
	O-ring ø26,70x 1,78 3x	S4259800	3X	3X	3X	3X	3X	3X	
125	Driewegklep huis VC O-ring	S4308200	X	X	X	X	X	X	
126	Cartridge vc-driewegklep	S4268400	X	X	X	X	X	X	
127	Flensplaat dwk	S4371700	X	X	X	X	X	X	
128	O-ring ø26,70x 1,78 boiler	S4259800	X	X	X	X	X	X	
129	Leiding plw-dwk PF/E-SHR	S4401401	X	X	X	X	X	X	
130	Bout m 5x12 imbus verz. 3x	S4440000	X	X	X	X	X	X	
131	Kortsluitleiding compleet E-SHR	S4489800	X	X	X	X	X	X	
	Kortsluitleiding set PFSHR	S4478600	X	X					
132	O-ring ø29.74x3.53 aanv./ret. (2x)	S4312300	2X	2X	2X	2X	2X	2X	2X
133	O-ring ø4.76x1.78 borg WW (3x)	S4322320	3X	3X	3X	3X	3X	3X	3X

## Onderdelen elektrische componenten Enigma en Benraad



- 162 T1 aanvoersensor
- 160 T2 retoursensor
- 167 T3 warmwatersensor
- 166 T5 rookgassensor
- 148 T10 luchtkasttemperatuurbeveiliging
- 161 P1 waterdruksensor





Pos.	Omschrijving	Art.nr.	Enigma E-SHR en Benraad BR					
			Standard		24T	24T	24/32T	28/35T
			24 T	32 T	NZ			
			2000 - 2001		1999 - 2006	99-'03	03-'06	
Bouwjaar		Benraad type >		24C(i)	24/32C	35Ci	35S	
Bouwjaar		2004 - 2009						
140	Kabelboom 24v Enigma Standard	S4417920	X	X				
	Kabelboom compleet Enigma	S4467210			X	X	X	X
	Sticker x2 Enigma Standard	8A356100	X	X				
	Sticker aansluitblok Enigma	8A352202			X	X	X	X
	Aansluitsnoer 230v Enigma Standard	S4407300	X	X				
	Aansluitsnoer 230v E-SHR	S4477300			X	X	X	X
	Stekker 2-polig paars	S4320300			X	X	X	X
	Stekker 2-polig zwart	S4320500			X	X	X	X
	Stekker 3-polig grijs	S4380900			X	X	X	X
	Stekker 3-polig geel	S4379500						
	Stekker 3-polig oranje	S4379600						
	Stekker 4-polig bruin	S4320600			X	X	X	X
	Anticipatieweerst. 220Ohm SHR	S4325000	X	X	X	X	X	X
141	Trafo 72 Va + zelftappers SHR	S4324900	X	X	X	X	X	X
	Bevestigingsschroef 3x	S4370300	X	X	X	X	X	X
142	Bedieningsunit achter PF/E-SHR	S4417100	X	X	X	X	X	X
143	Ombouwset stuuraut. 1416/5417 24T	S4582400	X					
	Ombouwset stuuraut. 1416/5417 35T	S4582700		X				
	Stuurautomaat 5417 E-SHR	S4736200			X	X	X	X
	Zekering glas 100 mA250 3x	S4352800			X	X	X	X
	Zekering glas 2,0 Af 250 3x	S4353000	X	X	X	X	X	X
	Zekering glas 3,0 at 250 3x	S4352900	X	X	X	X	X	X
	Zekering 4 At (250V) 3x	S4463500	X	X	X	X	X	X
144	Bedieningsunit voor PF/E-SHR	S4417000	X	X	X	X	X	X
145	Driewegklep motor VC2010 SHR	S4334910	X	X	X	X	X	
	Kabelboom compleet E-SHR	S4467210			X	X	X	X
146	Stromingssch. 2,5 ltr PF/E-SHR	S4498900				X		
147	Pomp ups 20-50	S4298200	X		X	Alleen Benraad		
	Pomp UP 20-60	S4298100		X	Alleen Benraad			X
	Pomp UPER PWM 20-60 E-SHR	S4529200			X	X	X	X
148	Luchtkasttemperatuurbeveiliging	S4552800	X	X	X	X	X	X
160	NTC SHR/Boiler/ZGC T2/T3/T8/T9	S4309700	X	X	X	X	X	
161	Waterdrukbev. 0,8 bar 3/8"	S4421800	X	X				
	Waterdruksensor + waterslot	S4466300			X	X	X	X
	Verloopkabel waterdruksensor Voor ketels van bouwjaar '96-'99	S4435400			X	X	X	X
162	NTC aanvoer T1/E-PF NTC T3	S4307420			X	X	X	X
163	Elektrode ontst.+pakk. SHR	S4311600	X	X	X	X	X	X
	Ontstekingkabel PF/E-SHR kpl.	S4440900	X	X	X	X	X	X
164	Vent.motor 24v DC ged.15/24/35	S4442720	X	X	X	X	X	X
165	Gasblok PF/E/SHR	S4304700	X	X	X	X	X	X
166	NTC rookgas T5 + kabel PF-SHR	S4465100	X	X				
	NTC rookgas T5 + kabel SHR	S4368200			X	X	X	X
	NTC rookgas T5 SHR	S4339510	X	X	X	X	X	X
167	NTC aanvoer T1/E-PF NTC T3	S4307420	X	X	X	X	X	
168	Waterdrukmeter Enigma Standard	S4420300	X	X				